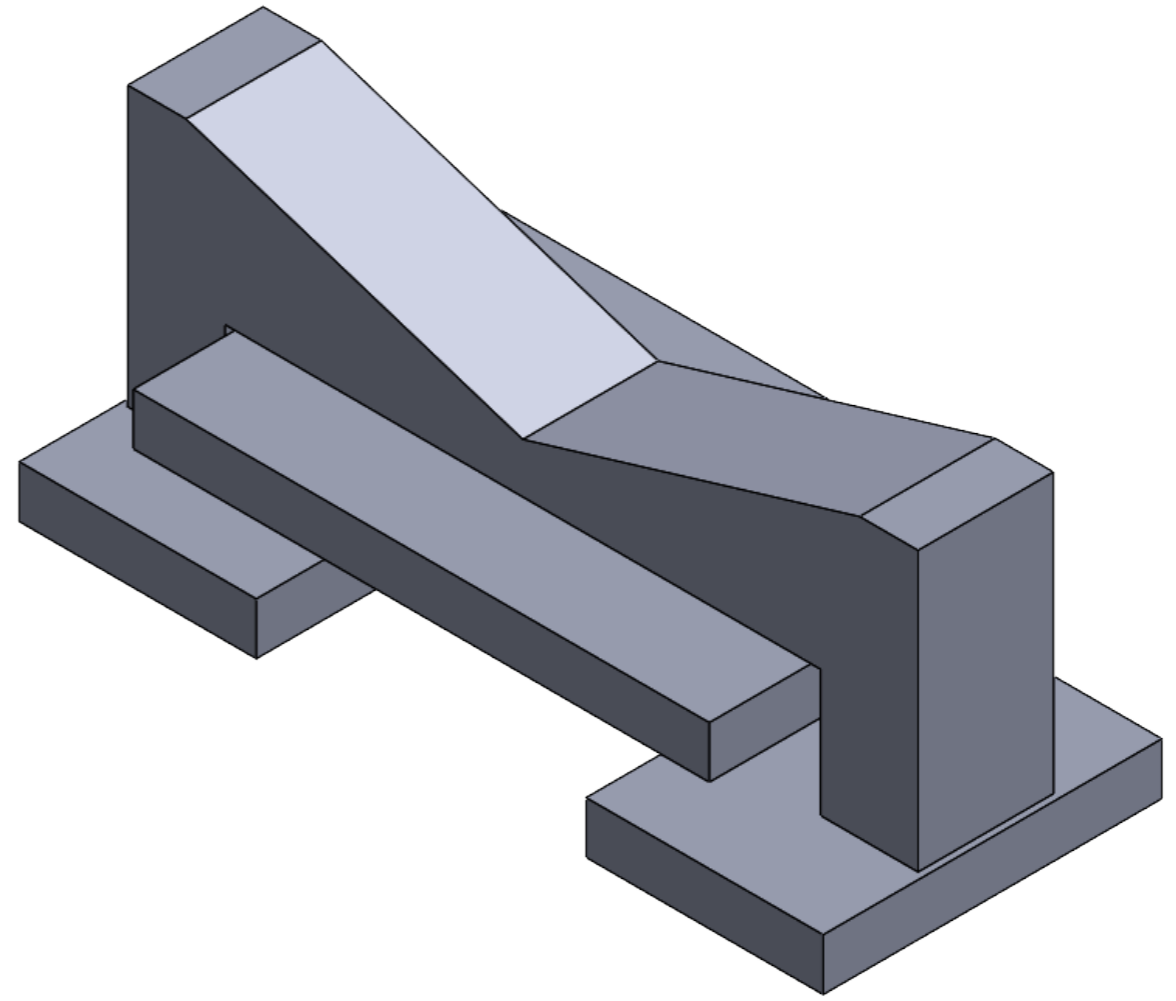
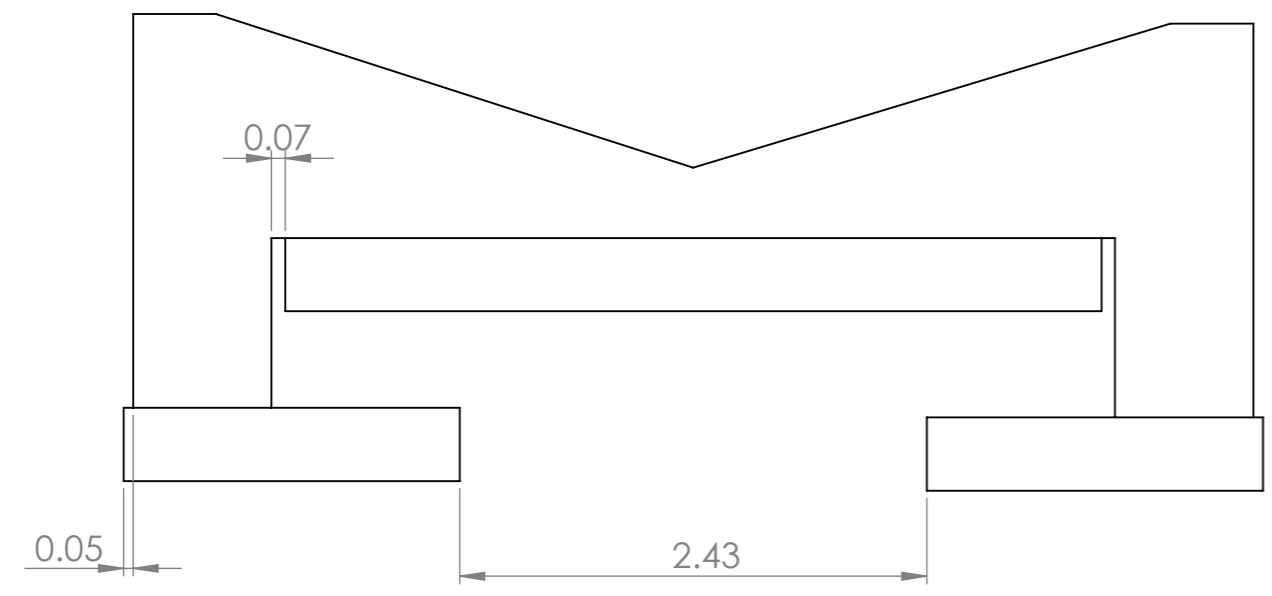


ITEM NO.	PART NUMBER	DESCRIPTION	QTY.
1	HRFB 1 x 2 x 5		1
2	HRFB.375 x 5 x 2.5		1
3	HRFB.375 x 2 x 2.5		2

Note: All Dimensions in Inches



UNLESS OTHERWISE SPECIFIED: DIMENSIONS ARE IN MILLIMETERS		FINISH:		DEBURR AND BREAK SHARP EDGES		DO NOT SCALE DRAWING		REVISION	
SURFACE FINISH:									
TOLERANCES:									
LINEAR:									
ANGULAR:									
DRAWN		NAME		SIGNATURE		DATE		TITLE:	
CHK'D									
APPV'D									
MFG									
Q.A						MATERIAL:		DWG NO.	
								SDH12460 – Weldment	
						WEIGHT:		SCALE:1:1	
								SHEET 1 OF 1	